



Portable UV Disinfection

Sentry M2

MOBILE UV DISINFECTING UNITS

Powered by
Violet Defense[™] technology

With the Sentry M2, protection follows you. The Sentry M2 are affordable mobile UV disinfecting units designed for easy positioning and simple control. It emits broad spectrum UV light to eliminate up to 99.9% of the bacteria, viruses, and fungi in a space¹. In rooms that have been cleaned of mold, the unit will help control return growth if used routinely².

The compact units have a Dual UV Light Engine in a lightweight, miniaturized design. Mounted on a wheeled or tripod base, the M2 units have a telescoping neck and adjustable UV head angle for perfect spot treatment where contamination is suspected.



Lightweight, wheeled base with locking casters and a telescoping neck for easy positioning.



Broad Spectrum UV-C, UV-B, and UV-A Light to kill bacteria and viruses.



Simple single-cycle operation with occupancy detection for safety.



Dual UV Light Engine with pulsed Xenon lamp for 170° coverage up to 144sf.

1. Study Report August 2017, "Antimicrobial Effectiveness of Puro Device", using modified ASTM International Standard Test Method E1153.

2. Research Journal of Microbiology, 2 (1), 42-49, 2007; Mycological Research, Vol. 92, Issue 3, 1989

Product Specifications

Illumination

Light Source	Proprietary Pulsed Xenon Lamp
Pulse Interval	1 UV Flash every 6 seconds
Wavelengths	UV-C (200-280nm) Germicidal UV-B (280-320nm) Germicidal UV-A (320-400nm) Antibacterial
Range	12' x 12' typical
UV Bulb Rated Life	> 2 Million UV Flashes

Electrical System

Input Voltage	110V AC
Max Current	7 Amps
Average Power	125W during operation
Power Connection	3-prong grounded plug

Physical

Weight	M2-C 53.4 lbs M2-T 14.4 lbs
Housing/Finish	Brushed Aluminum
Optics	Patented Dual UV Light Engine with transmissive UV lens and Xenon UV lamp
Beam Angle	170°

Environment

Ambient Operating Temperature	41°F to 104°F
Ambient Operating Humidity	<80%RH non-condensing

Certifications

Safety	TUV Certified, tested to UL 61010-1:2012
FCC	Compliant with Part 15 Class A
RoHS	Compliant
FDA	Materials are cleared for use in food and medical areas
EPA	Registered

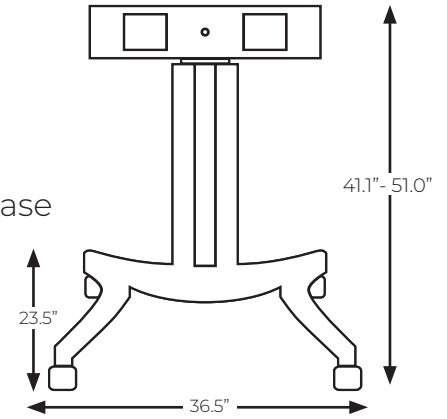
Warranty

Warranty	1 year
----------	--------

Dimensions

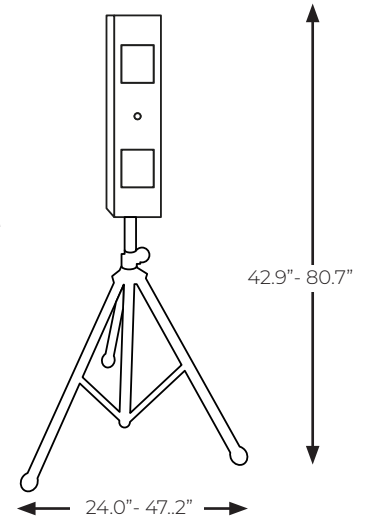
Height: 41.1" – 51.0" Width: 36.5" Depth: 23.5"

Sentry M2-C
Caster-wheeled base



Height: 49.9" - 80.07" Width and Depth: 24.0" - 47.2"

Sentry M2-T
Adjustable tripod base



Single Cycle Operation Mode

The operational mode is programmed through an Ethernet connection to the unit.

This unit will complete a single cycle of 15 or 30 minutes when the unit is plugged in for power. If interrupted, the unit will resume its programmed cleaning cycle once motion is no longer detected.

The units must be programmed before use.

Safety and Occupancy Sensors

The unit's redundant safety systems, including an integrated occupancy sensor, ensures the unit will not activate while the room is occupied and will immediately suspend operations if motion is detected in a previously unoccupied room.

Installation

All units ship with a 15 foot cord terminated with a grounded 110V plug. Plug in the unit after positioning it in the room.

110V Outlet

The unit can be plugged into a non-GFI outlet. If an outlet is not accessible near the fixture location, you may require a sufficiently rated, grounded extension cord or have a licensed electrician to install an outlet.

CAUTION

CAUTION - IF THE FIXTURE EXHIBITS UNDESIRABLE OPERATION (BUZZING, FLICKERING, ETC. OR IF THE UNIT'S LED STATUS INDICATOR IS FLASHING RED), IMMEDIATELY TURN OFF POWER AND CONTACT MANUFACTURER.

INDOOR USE ONLY.

Certifications



This device is tested and certified by TUV to UL specifications.



Tested to be compliant with FCC Part 15 Class A.

Internal components of this device are UL Listed, UL Recognized or CE listed.

The manufacturer is registered with the US Environmental Protection Agency (EPA). Clinical laboratory testing has been performed at independent labs.



Ordering Information

Example: S-M2-C-15-P-110

FAMILY	MODEL	MOUNT	CORD LENGTH	CORD TERMINATION	WATTAGE
S = Sentry	M2 = Mobile Units with a Dual UV Light Engine	C = Locking caster-wheeled base with telescoping neck T = Adjustable tripod with telescoping neck	15 = 15 feet	P = Three-prong grounded plug	110 = 110V AC